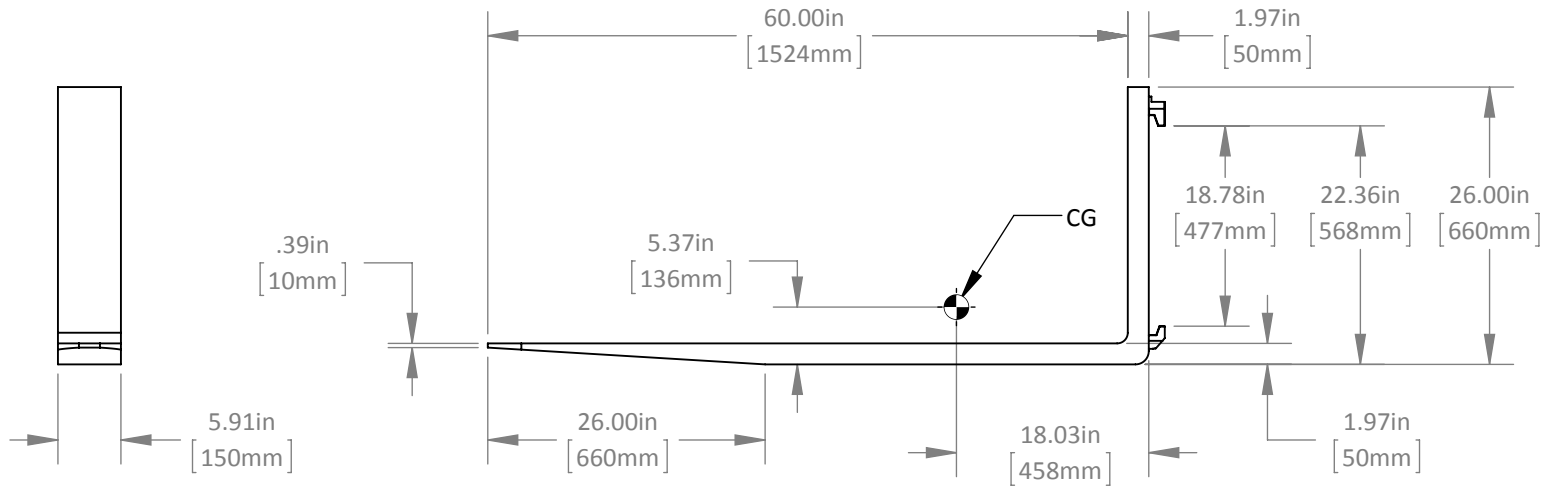
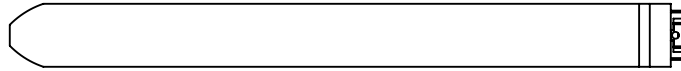


SIZE <b>A</b>	DWG. NO. 2-6-60-3 Netforks	REV <b>0</b> 19 Jan 15
SCALE: 1:18	WEIGHT(lb): 246.88	SHEET 1 OF 1



Sold in pairs

Rated Capacity: 12500lb at 24" load center per pair